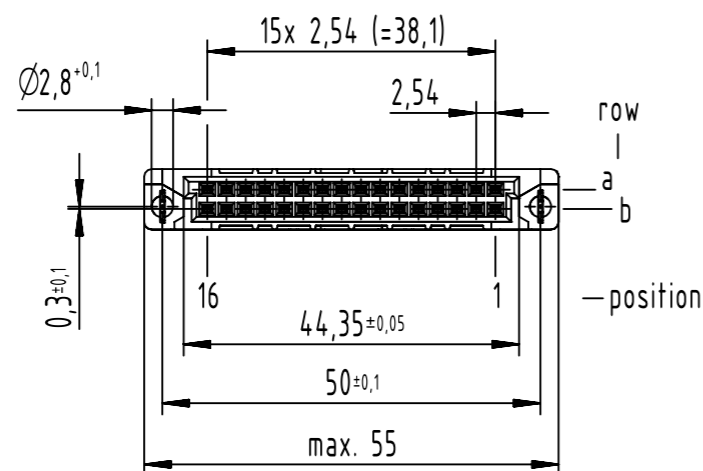
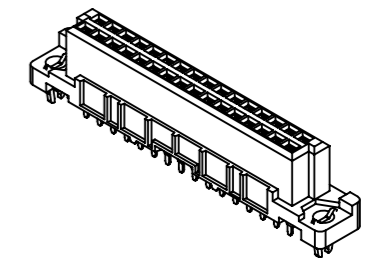
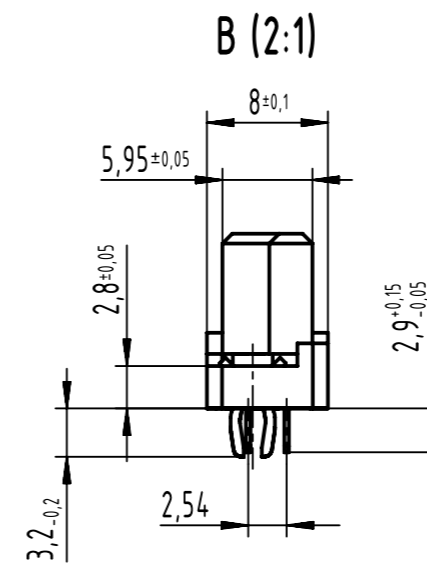
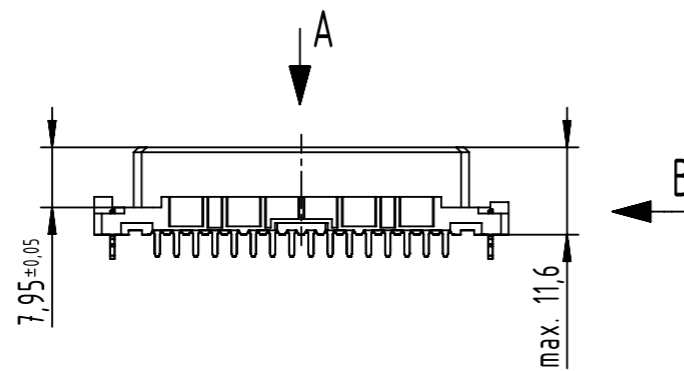


32 solder contacts

☒ = solder contact

□ = position without contact



further information see product data sheet

09 22 432 6824	2
part no.	performance level

All rights reserved Department EL PD HARTING D-32339 Espelkamp	All Dimensions in mm Original Size DIN A3	Scale 1:1	Free size tol. IEC 60603-2	Ref. Sub. TB 09 22 432 x824 / Mod. 36416 / 15.07.2011
	Created by STORCK	Inspected by LEHNERT	Standardisation 302077	Date 2021-07-05
Title DIN Signal type 2B female solder 2.9 with clip 32-pole				Doc-Key / ECM-Nr. 100111900/UGD/026/B 500000198117
Type TB		Number 0922432X824		Rev. B
				Page 1/1